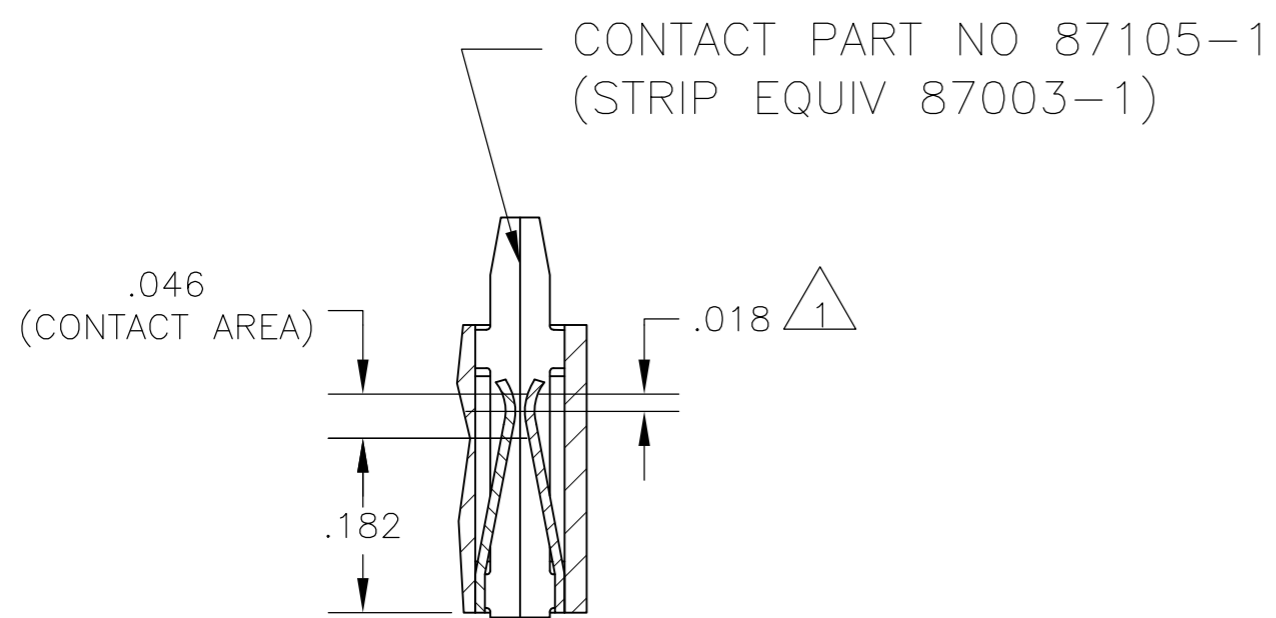
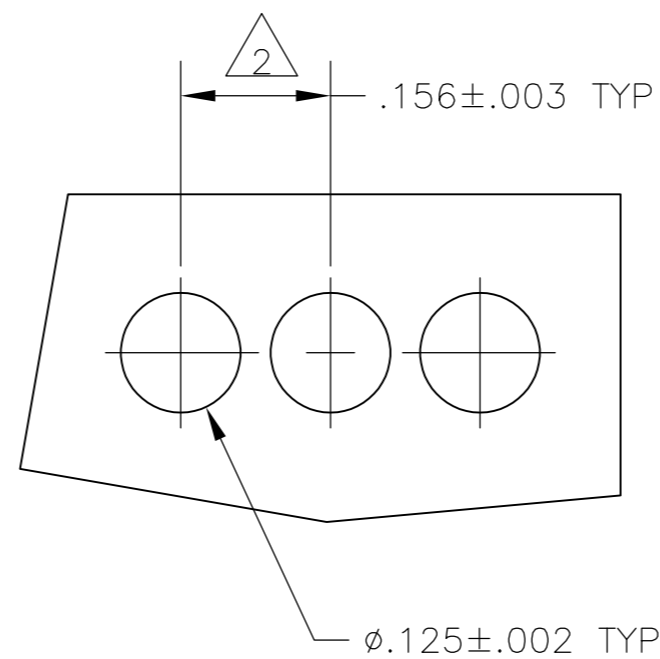


THIS DRAWING IS UNPUBLISHED. RELEASED FOR PUBLICATION
 © COPYRIGHT BY TYCO ELECTRONICS CORPORATION. ALL RIGHTS RESERVED.

LOC	DIST	REVISIONS			
P	LTR	DESCRIPTION	DATE	DWN	APVD
AD	00	K1 REVISED ECO-09-024927	06NOV09	KK	AEG

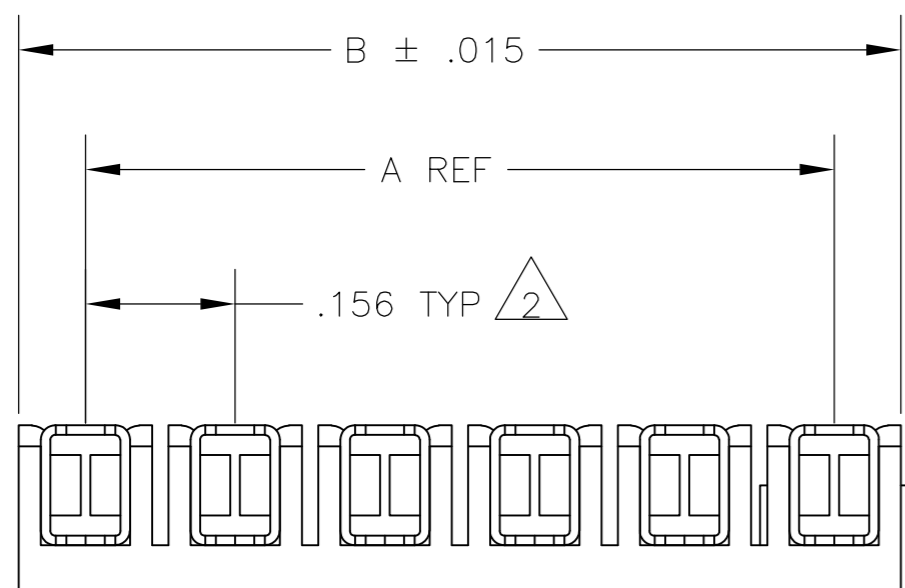
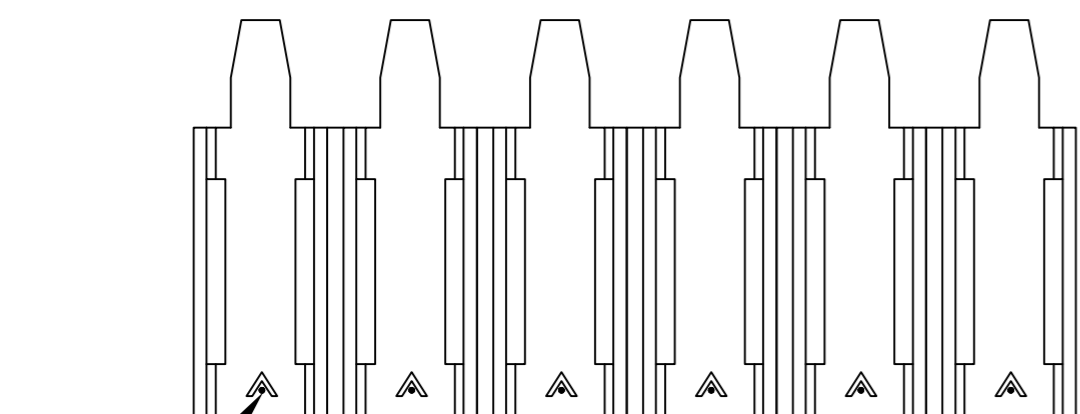


SECTION X-X

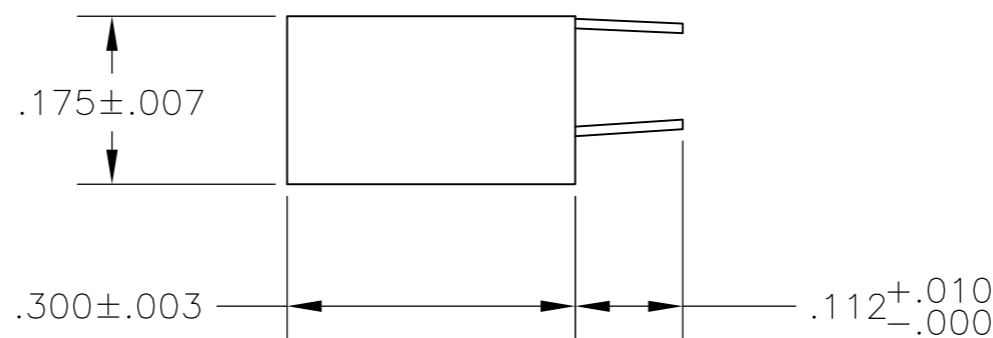


RECOMMENDED BOARD MOUNTING
 (RECOMMENDED BOARD THICKNESS: .055-.070)

- △1 POINT OF MEASUREMENT FOR PLATING THICKNESS (INSIDE OF BEAMS).
- △2 TOLERANCE NON-CUMULATIVE.
- △3 THE MATING END OF THE CONTACT IS IDENTIFIED BY THE LETTER "A" STAMPED ON THE RECEPTACLE BOX.
- △4 OBSOLETE PARTS: OBSOLETE CIS STREAMLINING PER D.RENAUD/D.SINISI



X X



OBSOLETE △4	3.120	2.964	20	2-87986-0
	2.964	2.808	19	1-87986-9
	2.808	2.652	18	1-87986-8
	2.652	2.496	17	1-87986-7
	2.496	2.340	16	1-87986-6
	2.340	2.184	15	1-87986-5
	2.184	2.028	14	1-87986-4
△4 OBSOLETE	2.028	1.872	13	1-87986-3
	1.872	1.716	12	1-87986-2
△4 OBSOLETE	1.716	1.560	11	1-87986-1
	1.560	1.404	10	1-87986-0
OBSOLETE △4	1.404	1.248	9	87986-9
	1.248	1.092	8	87986-8
	1.092	.936	7	87986-7
	.936	.780	6	87986-6
	.780	.624	5	87986-5
	.624	.468	4	87986-4
△4 OBSOLETE	.468	.312	3	87986-3
	.312	.156	2	87986-2
	B	A	NO OF POSN	ASSEMBLY PART NUMBER

THIS DRAWING IS A CONTROLLED DOCUMENT.

DIMENSIONS: INCHES	TOLERANCES UNLESS OTHERWISE SPECIFIED:	DWN L D RINGLEY 17MAR86	Tyco Electronics Corporation Harrisburg, Pa 17105-3608
	0 PLC ± -	CHK P deJONG 18MAR86	
	1 PLC ± -	APVD P deJONG 18MAR86	
	2 PLC ± -	NAME	
	3 PLC ± .005	PRODUCT SPEC	
4 PLC ± -	APPLICATION SPEC	108-25,016	ASSY, MOD I, BOARD MOUNT RCP, .156 CL, STD PRESSURE, TYPE B, FOR ROUND HOLE MOUNTING
ANGLES ± -	FINISH	114-25,004	RESTRICTED TO
MATERIAL: HOUSING - FLAME RETARDANT THERMOPLASTIC, COLOR - BLACK, CONTACTS - PHOS. BRONZE	.000030 GOLD IN THE CONTACT AREA, GOLD FLASH ON THE REMAINDER, ALL OVER .000050 NICKEL	WEIGHT 114-25,004	SIZE A2
		CUSTOMER DRAWING	CAGE CODE 00779
			DRAWING NO C=87986
			SCALE 5:1
			SHEET 1 OF 1
			REV K1